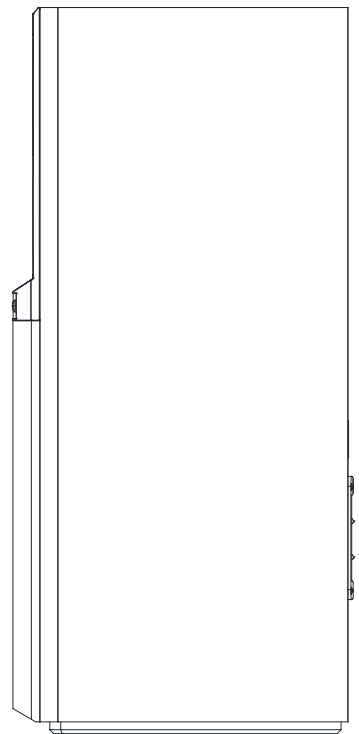
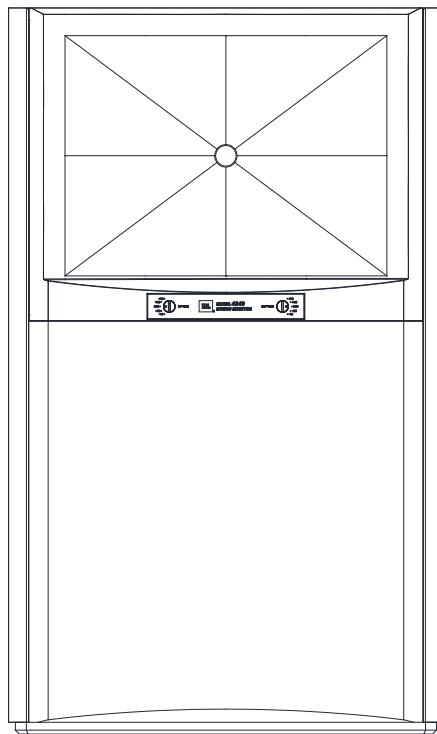
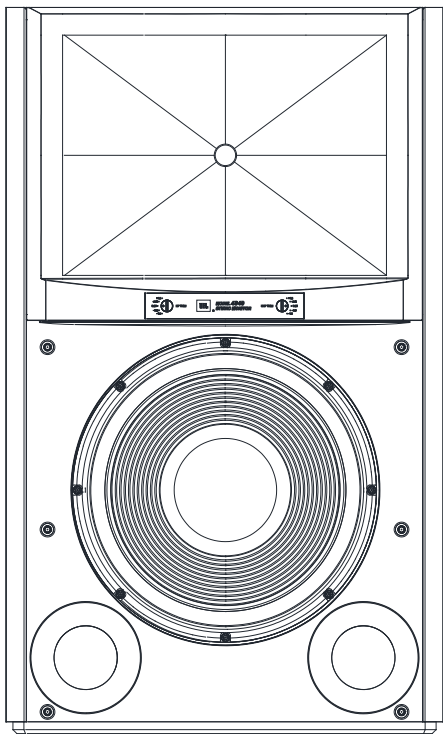




# JBL® 4349

12-inch (300 mm) 2-way Studio Monitor



**OWNER'S MANUAL**

## INTRODUCTION

**THANK YOU** for purchasing the **JBL® 4349 2-Way Studio Monitor**.

For more than 70 years, JBL has been providing audio equipment for concert halls, recording studios and movie theaters around the world and has become the trusted choice of leading recording artists and sound engineers. The 4349 is a new large-size bookshelf/monitor of the JBL Studio Monitor family designed for home use. To get the best performance from your new loudspeakers, please read these instructions thoroughly.

## PACKAGE CONTENTS

**EACH JBL 4349 BOX CONTAINS:**

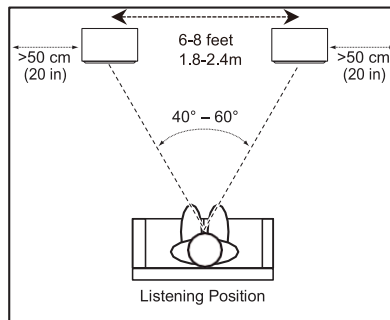
- 1 – Loudspeaker
- 1 – Grille(Pre-Installed)
- 1 – User Manual

If you suspect that there has been shipping damage, report it immediately to your dealer. We recommend that you keep the box and packing materials for future use.

## PLACEMENT AND POSITIONING

**CAUTION:** The 4349 weighs 80.6 lb. (36.6 kg) each. We recommend that shelves, stands, or special construction be robust enough to support to 240 lb (108.9 kg). Before placing the speaker on a shelf or platform, be sure that it is sturdy enough to support the speaker's weight.

Before deciding where to place your speakers, survey your room and think about placement, using the illustration below as a guide.



Avoid placing the speakers near power amplifiers, heat registers or other objects that generate large amounts of heat.

Do not place the speakers in very humid or dusty places.

Do not place the speakers in direct sunlight or where they will be exposed to other strong light.

For best results, place the speakers 6–8 feet (1.8-2.4m) apart. If you place the speakers farther apart than this, angle them toward the listening position.

The speakers will produce the most accurate stereo soundstage when the angle at the listener between the speakers is from 40 and 60 degrees.

Position each speaker so that its horn center is pointed approximately at ear level.

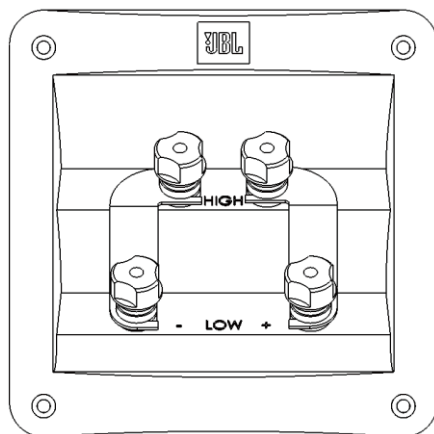
Generally, bass output will increase as the speaker is moved closer to a wall or corner. For best performance, we recommend that you place the speakers at least 20 inches (50cm) away from the side walls.

The 4349 may be stand mounted with the optional JBL metal stands (model JBL JS-120, sold separately) that angle the speaker upward.

## CONNECTIONS

**CAUTION:** Make sure that all of the system's electrical components are turned OFF (and preferably unplugged from their AC outlets) before making any connections.

Speakers and amplifiers have corresponding positive and negative (“+” and “-”) connection terminals. The 4349 has two sets of connection terminals; gold-plated jumper straps connect the terminals to each other. The terminals are marked “+” and “-.” Additionally, the “+” terminals have red rings, while the “-” terminals have black rings. See the illustration below.



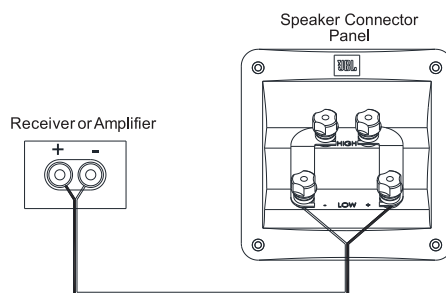
We have designed the 4349 so that a positive voltage at the “+” (red) terminal will cause the speaker transducers to move outward (toward the room).

We recommend using a high-quality speaker wire with polarity coding. The side of the wire with a ridge or other coding is usually considered positive polarity (“+”).

To ensure proper polarity, connect the left- and right-channel “+” terminals on the back of the amplifier or receiver to their respective “+” (red) terminals on the speakers. Connect the “-” (black) terminals in a similar way. See the owner's manual of your receiver or amplifier to confirm its connection procedures.

### BASIC SINGLE-WIRE CONNECTION:

Connect the amplifier to each speaker as shown in the illustration below. You can use either set of terminals on the speaker. **NOTE:** Do not remove the jumper straps from between the two sets of terminals when connecting the speaker wires.



**IMPORTANT:** Do not reverse polarities (i.e., “+” to “-” or “-” to “+”) when making connections. Doing so will cause poor stereo imaging and diminished bass performance.

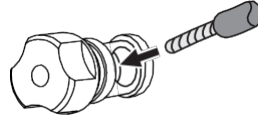
The 4349's gold-plated speaker terminals can accept a variety of wire-connector types: bare wire, spade connectors, pin connectors and banana connectors.

**Using Bare Wire or Pin Connectors:**

A. Unscrew Cap



B. Insert Bare Wire or Pin Connector through Hole in Post



C. Tighten Cap to Secure Wire



**IMPORTANT:** Make sure the (+) and (-) wires or pins do not touch each other or the other terminal. Touching wires can cause a short circuit that can damage your receiver or amplifier.

**NOTE:** Bare wire can also be wrapped around the terminal shaft and then the cap tightened to secure the wire.

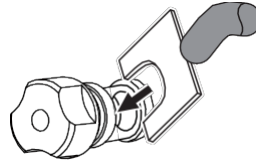
**CAUTION:** Once the caps are tightened, make sure that the jumper straps are held firmly between the respective terminals. If they are loose, the speakers will not operate properly.

**Using Spade Connectors:**

A. Unscrew Cap



B. Insert Spade Connector Blades around Post



C. Tighten Cap



**IMPORTANT:** Make sure the (+) and (-) spade connector blades do not touch each other or the other terminal. Touching blades can cause a short circuit that can damage your receiver or amplifier.

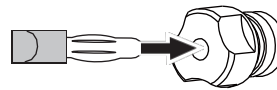
**CAUTION:** Once the caps are tightened, make sure that the jumper straps are held firmly between the respective terminals. If they are loose, the speakers will not operate properly.

**Using Banana Connectors:**

A. Tighten Cap



B. Insert Banana Connector into Hole in Cap

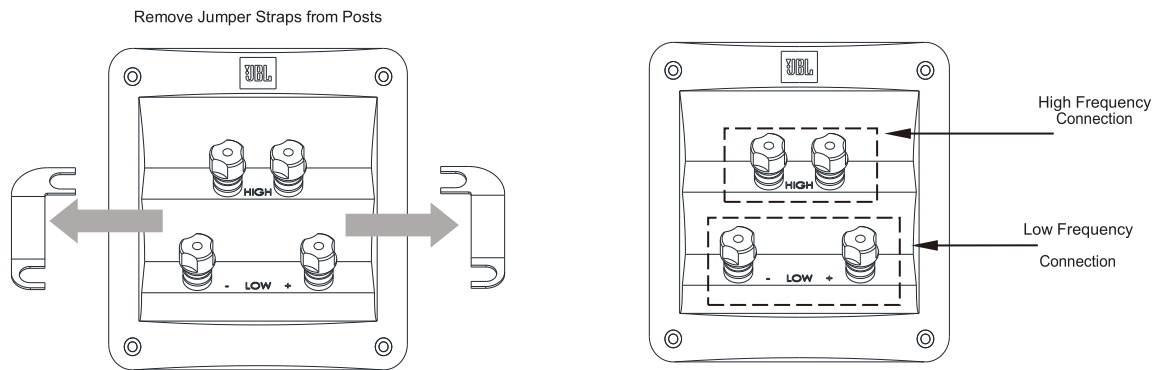


**CAUTION:** Be sure to tighten the caps to make sure that the jumper straps are held firmly between the respective terminals. If they are loose, the speakers will not operate properly.

**BI-WIRE AND BI-AMP CONNECTION:**

For either bi-wire or bi-amp operation, remove the jumper straps from the terminal cup of the JBL 4349 Studio Monitor and store in a safe place. Note that removing the straps only disconnects the inputs of the low frequency and high frequency crossovers from each other, but keeps the full protections and frequency tailoring of the custom crossovers for the separate driver units.

**CAUTION:** Do not connect to your speaker in bi-wire fashion with the jumper straps attached. Severe amplifier damage, personal injury, or damage to other property may result.

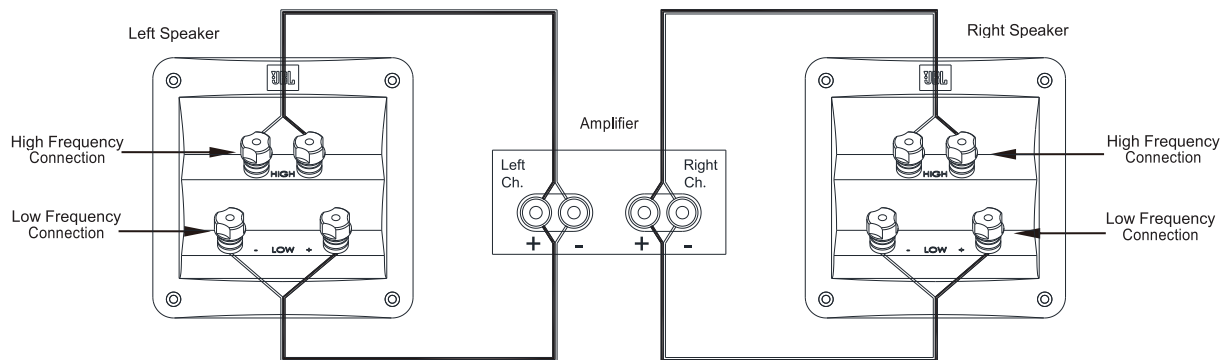


The 4349 connection assembly has two sets of input terminals that are connected by jumper straps. The upper set of terminals is for the compression driver, and the lower set of terminals is for the woofer.

**Bi-wiring**

An amplifier and speaker system are bi-wired when the high frequency and low frequency inputs of the speaker are driven by two different wires from the same amplifier channel. Usually different types of wire are used for the connections: a high-current-capability wire or a wire that sounds better to the user for bass is typically used for low frequencies, and a low-inductance wire or a wire that sounds better for treble to the user is used for high frequencies. Both wires are connected to the same amplifier output.

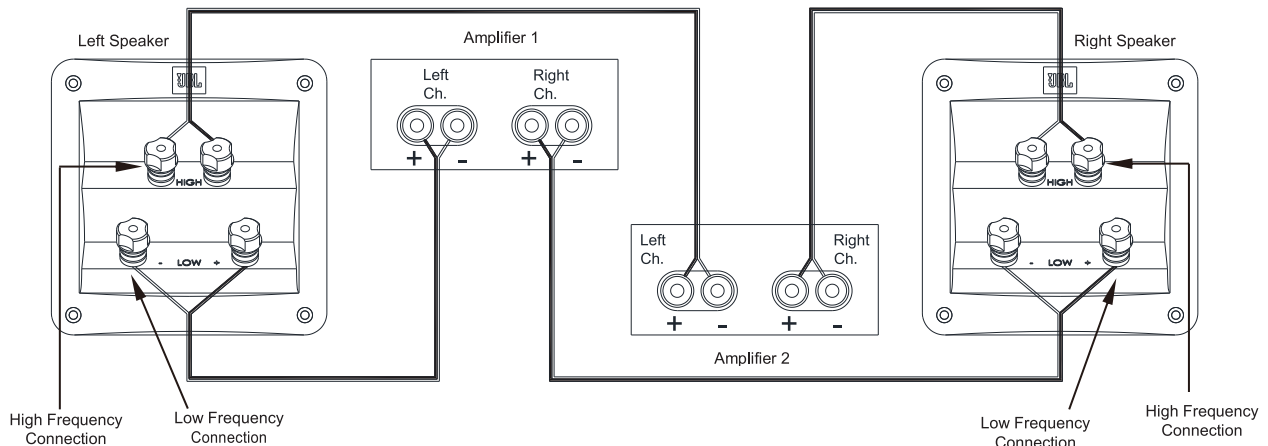
To bi-wire the JBL 4349, connect the speakers according to the following illustration.



## BI-WIRE AND BI-AMP CONNECTION (continued):

### Bi-Amplified Wiring

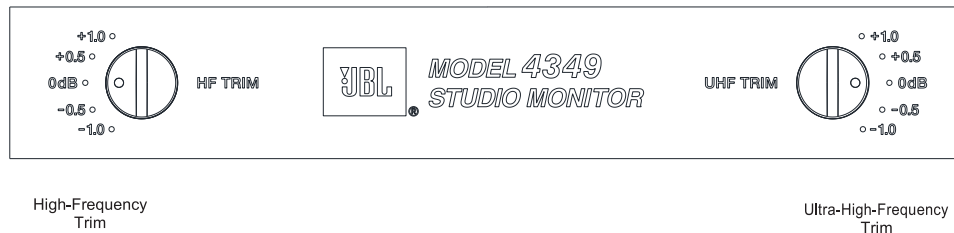
An amplifier and speaker system are bi-amplified when one channel of an amplifier is used for high frequencies, and one channel of an amplifier is used for low frequencies. One 2-way speaker could use both channels from a stereo amplifier. Selecting amplifier channels and wires better suited for different bandwidths can produce very noticeable improvement. To wire the JBL 4349 for bi-amplification, connect the speakers according to the following illustration.



In either case, follow the instructions for the different connector types in Basic Single-Wire Connection, on page 4.  
NOTE: For more information about various speaker-wire and connection options, contact your local JBL dealer.

## CONTROLS/ADJUSTMENTS

Although the 4349 only has a woofer and a compression driver, the advanced crossover has stepped front-panel adjustments that let you balance the high-frequency (HF) range and ultra-high frequency (UHF) range relative to the woofer.



You can use these controls to adjust the speaker's sound according to your room's acoustics or your personal taste. If you want to return the speakers to their factory-shipped response, set the controls to "0 dB."

As with most speakers, the 4349 has transducers whose suspensions will take several weeks to "break in" and achieve optimum performance. During this period, the balance between woofer, HF trim level, and UHF trim level may change, so we recommend that you adjust the HF and UHF controls accordingly.


## CARING FOR YOUR SPEAKERS

- Wipe the cabinet with a clean, dry cloth to remove dust. A damp cloth may dull the cabinet's finish. Do not use volatile liquids such as benzene, paint thinner or alcohol on the cabinet.
- Do not spray insecticide near the cabinet.
- To remove dust from the grille fabric, use a vacuum cleaner set to low suction.
- Do not wash the grille in water, as water may fade the grille's color or make it uneven.
- If the surface of the woofer cone becomes dusty, you can carefully sweep it clean with a soft, dry calligraphy brush or paint brush. Do not use a damp cloth.

## SPECIFICATIONS

### JBL® 4349 STUDIO MONITOR

Speaker Type:	2-way Large-size Bookshelf/Monitor
Low-frequency transducer:	12" (300 mm) JW300PG-8 Pure Pulp, Low-distortion woofer
High Frequency Transducer:	1.5" (38mm) D2415K Dual-Diaphragm Compression Driver
Maximum Recommended Amplifier Power:	200 watts RMS
Frequency Response (-6 dB):	32 Hz – 25 kHz
Sensitivity (2.83 V @ 1 m):	91 dB
Nominal Impedance:	8 Ohm
Crossover Frequencies:	1.7 kHz
Enclosure type:	Bass-reflex via Dual Flared Front-firing Ports
Inputs:	Dual Gold-plated Five-way Binding Posts per crossover section
Dimensions (H x W x D): with grille	29" x 17-1/2" x 13-1/2" (737 mm x 445 mm x 343 mm)
Weight:	80.6 lb (36.6kg)
Finishes:	Walnut or Black Walnut Woodgrain Veneer

Торговая марка:	JBL
Назначение товара:	Пассивная акустическая система
Изготовитель:	Харман Интернешнл Индастриз Инкорпорейтед, США, 06901 Коннектикут, г.Стэмфорд, Атлантик Стрит 400, офис 1500
Страна происхождения:	Китай
Импортер в Россию:	ООО «ХАРМАН РУС СиАйЭс», 127018, г.Москва, ул. Двинцев, д.12, к 1
Гарантийный период:	1 год
Информация о сервисных центрах:	www.harman.com/ru тел. +7-800-700-0467
Срок службы:	5 лет
Товар сертифицирован	
Дата производства:	Дата изготовления устройства определяется по двум буквенным обозначениям из второй группы символов серийного номера изделия, следующих после разделительного знака «-». Кодировка соответствует порядку букв латинского алфавита, начиная с января 2010 года: 000000-MY0000000, где «M» - месяц производства (A - январь, B - февраль, C - март и т.д.) и «Y» - год производства (A - 2010, B - 2011, C - 2012 и т.д.).

Используйте устройство только по прямому назначению в соответствии с предоставленной инструкцией. Не пытайтесь самостоятельно вскрывать корпус товара и осуществлять ремонт. В случае обнаружения недостатков или дефектов, обращайтесь за гарантийным обслуживанием в соответствии с информацией из гарантийного талона. Особые условия хранения, реализации и (или) транспортировки не предусмотрены. Избегайте воздействия экстремальных температур, длительного воздействия влаги, сильных магнитных полей. Устройство предназначено для работы в жилых зонах. Срок годности не ограничен при соблюдении условий хранения. Пожалуйста, не утилизируйте устройства с литий-ионными аккумуляторами вместе с бытовыми отходами.

#### 产品中有害物质的名称及含量

部件名称	目标部件	有害物质或元素					
		铅 (Pb)	汞 (Hg)	镉 (Cd)	六价铬 (Cr(VI))	多溴联苯 (PBB)	多溴二苯醚 (PBDE)
箱体	外壳, 面板, 背板等	0	0	0	0	0	0
零部件	喇叭, 电容, 连接器	X	0	0	0	0	0
附件	连接线, 说明书, 包装等	0	0	0	0	0	0

本表格依据 SJ/T 11364 的规定编制

0: 表示该有害物质在该部件所有均质材料中的含量均在 GB/T 26572 规定的限量要求以下。

X: 表示该有害物质至少在该部件的某一均质材料中的含量超出 GB/T 26572 规定的限量要求。



在中华人民共和国境内销售的电子电气产品上将印有“环保使用期”(EPUP)符号。

圆圈中的数字代表产品的正常环保使用年限。



Please visit us:  
[www.jblsynthesis.com](http://www.jblsynthesis.com)

8500 Balboa Boulevard, Northridge, CA 91329 USA

© 2020 HARMAN International Industries, Incorporated. All rights reserved.  
JBL, and HDI are trademarks of HARMAN International Industries, Incorporated,  
registered in the United States and/or other countries.  
Features, specifications and appearance are subject to change without notice.

**CE EAC** Part No. 950-0576-001 Rev.X2

For additional languages, please visit [jblsynthesis.com](http://jblsynthesis.com)  
Pour les autres langues, veuillez visiter [jblsynthesis.com](http://jblsynthesis.com)  
Informationen in weiteren Sprachen finden Sie unter [jblsynthesis.com](http://jblsynthesis.com)  
Если вам нужны версии на других языках, перейдите на сайт [jblsynthesis.com](http://jblsynthesis.com)  
他の言語で読むには、[jblsynthesis.com](http://jblsynthesis.com)にアクセスしてください  
Para obtener otros idiomas, visite [jblsynthesis.com](http://jblsynthesis.com)  
Para obter o manual do usuário em outros idiomas, acesse [JBLSYNTHESIS.COM](http://JBLSYNTHESIS.COM)  
추가 언어에 대해서는 [jblsynthesis.com](http://jblsynthesis.com)에서 확인하십시오  
如需其他语言, 请访问 [www.jblsynthesis.com](http://www.jblsynthesis.com)